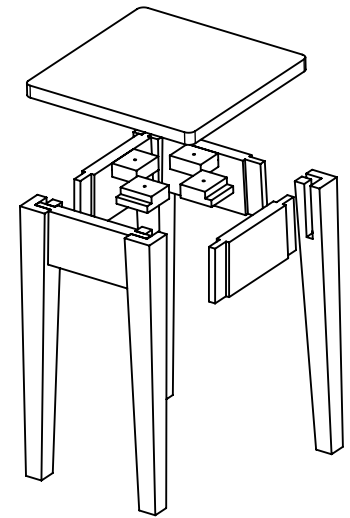
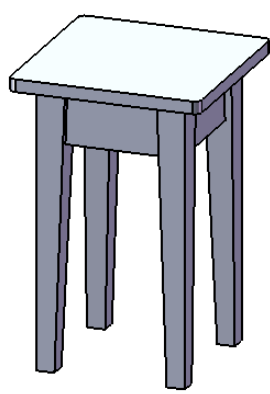
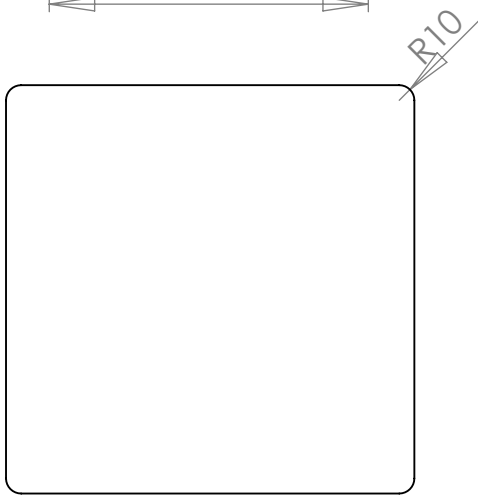


SECCIÓN A-A



UNLESS OTHERWISE SPECIFIED: DIMENSIONS ARE IN MILLIMETERS SURFACE FINISH: TOLERANCES: LINEAR: ANGULAR:		FINISH:		DEBUR AND BREAK SHARP EDGES		DO NOT SCALE DRAWING		REVISION	
DRAWN		SIGNATURE		DATE		TITLE:			
CHKD									
APPV'D									
MFG									
Q.A				MATERIAL:		DWG NO.		A4	
				WEIGHT:		SCALE: 1:5		SHEET 1 OF 1	

Ensamble butaca